

Catalog #		Type
Projects		
Comments		Date
Prepared By		

LED S-UNDERWATER LITE™ This line of underwater lighting products use proprietary technology for the cleanest light and purest colors. It's the brightest way to light your pool or spa. The only light to consider for fiberglass pools eliminating large niche leaking issues. These Pool and spa lights feature 9 exciting color modes: 5 beautiful static colors and 4 exciting shows which can all be controlled by the flip of a switch. The pool light and the spa light both fit spaswitch. The pool light and the S-spa light both fit spa niches. A retrofit plate is available for standard size pool niches. There are no moving parts and no maintenance is required.



FEATURES:

- Both fixtures fit spa niche
- Brightest LED lighting technology
- Independently control pool & spa light with one switch
- Automatic memory, save last setting
- Exciting color modes
- Static colors: white, green, and blue
- Sync with LED S-Note, LED S-Melody, LED S-X-Stream Melody, and LED S-X-Stream Note

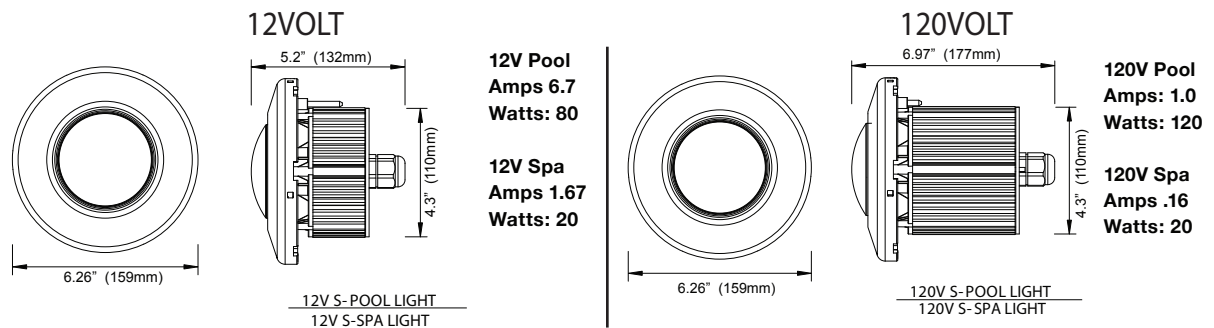
APPLICATIONS:

- Water Outdoor Fountains
- Indoor & Outdoor Ponds
- Pool Lighting
- Architectural Water Features
- Casino Water Feature Lighting
- Interior Water Feature Designs
- Architectural Water Highlights

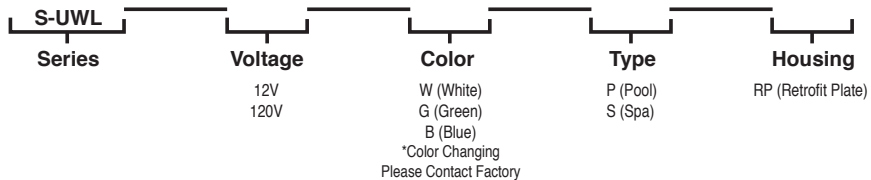


RETROFIT-PLATE-W
S-POOL LIGHT Retrofit Plate

DIAGRAMS:



Ordering Information:



Ordering Example: S-UWL-12-W-P-RP