

LED

LIGHTING & ELECTRONIC DESIGN

PART #: TRK38-XXXXX-XX-W

Catalog #		Type
Projects		
Comments		Date
Prepared By		

LED **TRACK FIXTURES™** are designed for LED PAR38 lamps. Our Line voltage PAR adjustable gimbal ring fixture features a white finished housing which holds the lamp socket, allowing the LED PAR lamp to clip directly into the adjustable gimbal ring. A steel yoke holds the gimbal ring in place and allows for full lateral aiming adjustment. Single tightening knob assures secure lock on angle position.



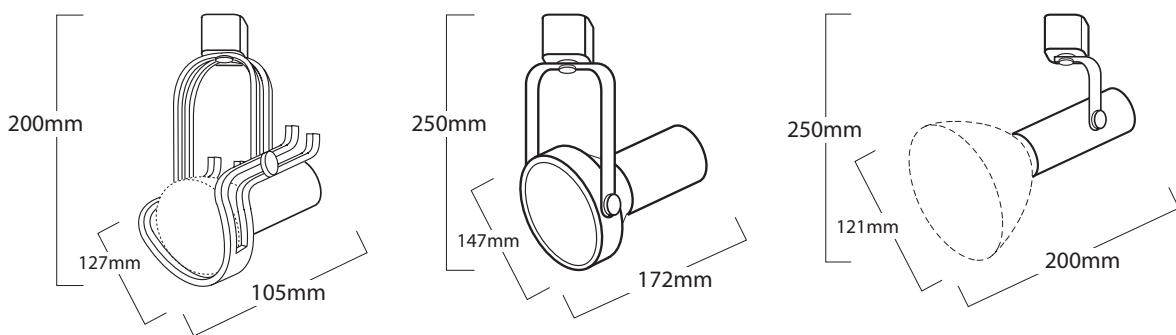
FEATURES:

- Deep drawn steel socket cup housing for high strength and rigidity
- Heat resistant Teflon coated wire lead
- Low profile gimbal ring with minimum profile
- Adjustable yoke for custom aiming
- High-strength stainless steel electrical contacts
- One or two circuit track capable

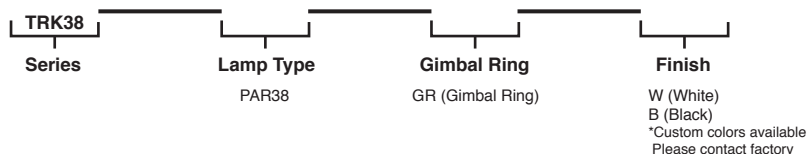
APPLICATIONS:

- **Landscape Accent / Spot Lighting**
- **Architectural Lighting**
- **Display Case Accent**
- **Artwork Lighting**
- **Mood Lighting**
- **Amusement Park Accent**

DIAGRAMS:



Ordering Information:



Ordering Example: TRK-PAR38-GR-W