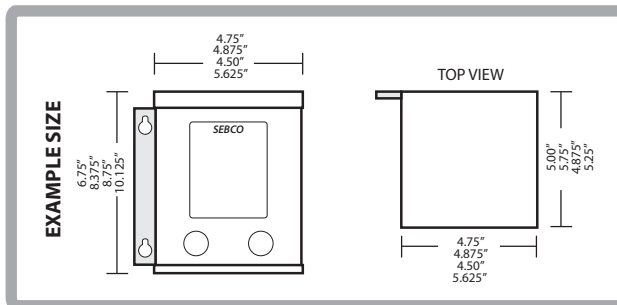


Catalog #		Type
Projects		
Comments		Date
Prepared By		

LED **POWER SUPPLIES SERIES™** are Class I transformers have circuit breaker protection up to 25 amps per circuit. They must be isolation type transformers, and be labeled for use with lighting products. Class I products require conduit from the secondary side of the transformer to the lighting product.



**FEATURES:**

- Economical Design that lower cost per foot than conventional systems
- Long life LEDs up to 100,000 hours
- Even illumination with built-in master/slave control

**APPLICATIONS:**

- Theaters
- Restaurants & Bars
- Arenas
- Auditoriums
- Hotels
- Casinos

**DIAGRAMS:**

\*Note: Any linear product utilizing wire that is 18 gauge or under falls under Class II. Local code always supercedes NEC code.

Part #	Voltage	Watts	No. of Breakers	Amps per Breaker	Dimensions D x H x W	Weight
T-1022-12-1-10	12 VAC	100	1	8.33	4-3/4" x 6-3/4" x 5"	10 lbs
T-1022-24-1-5	24 VAC	100	1	4.16	4-3/4" x 6-3/4" x 5"	10 lbs
T-1023-12-1-10	12 VAC	150	1	12.5	4-3/4" x 6-3/4" x 5"	11 lbs
T-1023-24-1-7	24 VAC	150	1	6.25	4-3/4" x 6-3/4" x 5"	11 lbs
T-1024-12-1-20	12 VAC	250	1	20	4-3/4" x 6-3/4" x 5"	13 lbs
T-1024-24-1-10	24 VAC	250	1	10	4-3/4" x 6-3/4" x 5"	13 lbs
T-1025-12-2-20	12 VAC	500	2	25	4-7/8" x 8-3/8" x 5-3/4"	19 lbs
T-1025-24-2-10	24 AC	500	2	10	4-7/8" x 8-3/8" x 5-3/4"	19 lbs
T-1026-12-3-20	12 VAC	750	3	25	4-1/2" x 8-3/4" x 4-7/8"	19 lbs
T-1026-24-2-15	24 VAC	750	2	15	4-1/2" x 8-3/4" x 4-7/8"	19 lbs
T-1027-12-4-20	12 VAC	1000	4	25	5-5/8" x 10-1/8" x 5-1/4"	28 lbs
T-1027-24-2-20	24 VAC	1000	2	25	5-5/8" x 10-1/8" x 5-1/4"	28 lbs

**Ordering Information:**

Series	Model	Voltage	Number of Breakers	Amps per Breaker
T	1022 1025	12VAC	1	5
	1023 1026	24VAC	2	7
	1024 1027		3	10
			4	15
				20

Ordering Example: T-1022-12-1-5