

# Spot Light Series



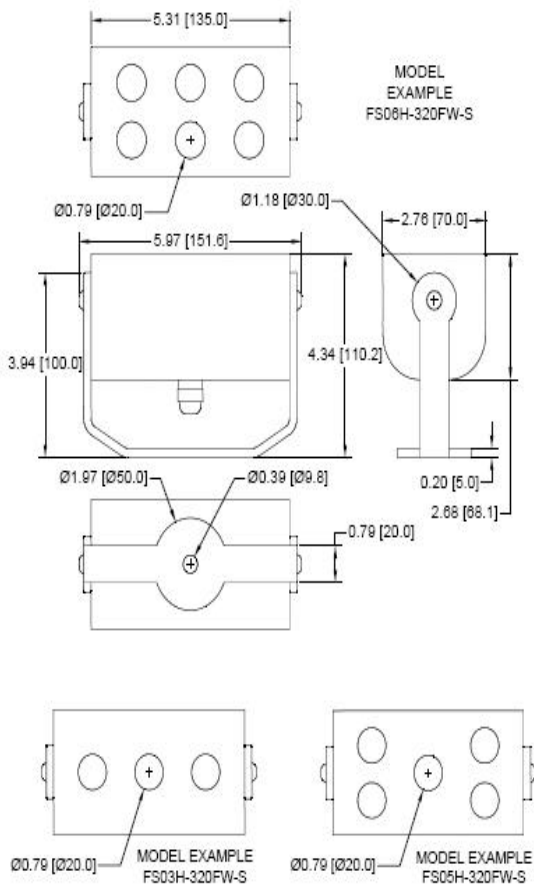
## High Intensity LED Spot Lighting Fixture

Introducing the latest Solid State Lighting designed for spot and flood lighting applications. These ergonomic LED Lighting Fixtures adopt the most advanced high intensity LEDs in an extruded aluminum enclosure. The IP66 rated enclosure is suitable for outdoor, wet location applications. The swivel base is designed for easy mounting and wide-angle adjustment. The state of the art LED's provide high lumen output increasing life expectancy, as well as energy saving and durability for nearly maintenance free fixtures. Three types of lens options provide viewing options ranging from 10 to 36 degrees.

### Electrical Specification:

<b>Input</b>	110-240VAC, 47/64Hz
<b>Power Consumption</b>	6 x 3W-18.7 Watts Typ. 5 x 3W-15.6 Watts Typ. 3 x 3W- 9.33 Watts Typ.
<b>Efficiency</b>	90% typ.
<b>THD</b>	.80
<b>Crest Factor</b>	1.5 max.
<b>VF</b>	6 x 3W led -15!V 24vdc typ. 5 x 3W led -12.5!V vdc typ. 3 x 3W led -7.5!V 12vdc typ.
<b>Forward Current</b>	6 x 3W led - 700mA typ. 5 x 3W led - 700mA typ. 3 x 3W led - 700mA typ.

### Mechanical Specifications:



### Model Selection:

F	2	3	4	-	5	6	6	7	8	-	9
F	Flood light series										
2 !Rotation of the unit	(S)wivel										
3 !V Number of LED	06/ 05 / 03										
4 !V Input Voltage Option	H-AC110/220 (DC Optional)										
5 !V Power of LED	1-Watt or 3-Watt										
6 !V Lens Size	20										
7 !V Lens Type	(S)pot (W)ide										
8 !V LED Color	(W)hite (R)ed (B)lue (G)reen										
9 !V Frame Color	(S) Silver										
10 Reserved	Reserved										

### Product Features:

Full range AC input - 110 ~ 240VAC, 47-64Hz  
Six (6), Five (5) and three (3) high intensity LED is in 1 or 3 Watt capacities  
Custom lens provides 10 degree, 20 degree and 36 degree viewing options  
Switch-mode constant current driver built in  
Versatile swivel base  
IP66 suitable for outdoor wet location  
Various color selections are available