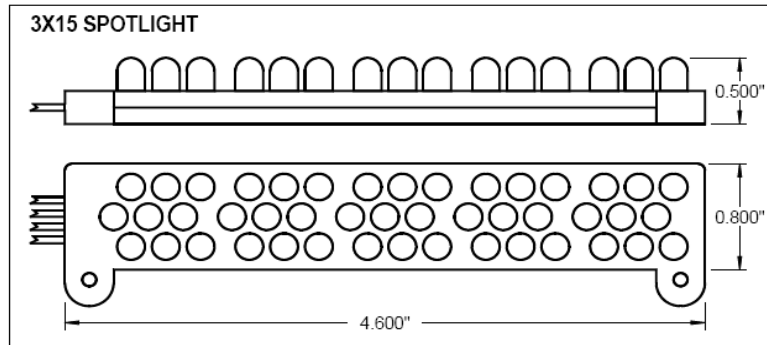
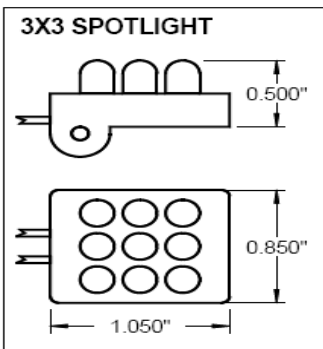


Product Image	Type	Part No	Description	Color	Input Voltage	Input Current	Watt/ Arrays	Angle
	3x3	LED-WR3-W-(S/F)	WR Arrays	White	12V DC +/- 0.25 Volts	75 mA	N/A	30 Spot / 100 Flood
	3x3	LED-WR3-Y-(S/F)	WR Arrays	Yellow	12V DC +/- 0.25 Volts	75 mA	N/A	30 Spot / 100 Flood
	3x3	LED-WR3-R-(S/F)	WR Arrays	Red	12V DC +/- 0.25 Volts	75 mA	N/A	30 Spot / 100 Flood
	3x3	LED-WR3-G-(S/F)	WR Arrays	Green	12V DC +/- 0.25 Volts	75 mA	N/A	30 Spot / 100 Flood
	3x3	LED-WR3-B-(S/F)	WR Arrays	Blue	12V DC +/- 0.25 Volts	75 mA	N/A	30 Spot / 100 Flood
	3x3	LED-WR3-RGB	WR Arrays	RGB	12V DC +/- 0.25 Volts	75 mA	N/A	30 Spot / 100 Flood
	3x15	LED-WR15-W-(S/F)	WR Arrays	White	12V DC +/- 0.25 Volts	375mA	N/A	30 Spot / 100 Flood
	3x15	LED-WR15-Y-(S/F)	WR Arrays	Yellow	12V DC +/- 0.25 Volts	375mA	N/A	30 Spot / 100 Flood
	3x15	LED-WR15-R-(S/F)	WR Arrays	Red	12V DC +/- 0.25 Volts	375mA	N/A	30 Spot / 100 Flood
	3x15	LED-WR15-G-(S/F)	WR Arrays	Green	12V DC +/- 0.25 Volts	375mA	N/A	30 Spot / 100 Flood
	3x15	LED-WR15-B-(S/F)	WR Arrays	Blue	12V DC +/- 0.25 Volts	375mA	N/A	30 Spot / 100 Flood
	3x15	LED-WR15-RGB	WR Arrays	RGB	12V DC +/- 0.25 Volts	375mA	N/A	30 Spot / 100 Flood

Spotlights or Floodlights are available as small as 3x3 arrays or larger 3x15 arrays. They are available either as single color, or as RGB Arrays, which along with proper controller, generate any of 16 million colors, or color fades. Both array styles can be mounted with a #6 Sheet Metal Screw or VHB Tape.

The 6-LEDs or 45-LEDs in these Arrays focus the light to the right, to the center and to the left. These Arrays are perfect where you need light spread in a curve. Such as your rear wheel. Place this POD under your rear fender to point down at your wheel to spread out the light down at your wheel. Point these Arrays at chrome and create an explosion of accent lighting. Arrays give you that extra boost & enhancement of light.



Information is subject to change without notice. LED has made every effort to ensure that the information in this document is accurate. However, we cannot be held responsible for any errors or omissions.  
© 2008 All rights reserved. Rev. 1.0

**Lighting & Electronic Design, Inc.**  
141 Cassia Way, Unit C  
Henderson, Nevada 89014  
800-700-5483 702-568-8742  
Fax: 702-568-8753  
Email: [led@ledlinc.com](mailto:led@ledlinc.com)

**LED**  
[www.ledlinc.com](http://www.ledlinc.com)