

Catalog #		Type
Projects		
Comments		Date
Prepared By		

LED's **LAMP SERIES PAR38™** is a self-ballasted, optimized LED light, designed to surpass traditional Halogen & Incandescent lamps. LED's PAR38 lamps are available in a 30, 45, and 60 degree beam angles with a 9 x 3 watt configuration packaging without compromising lumen output. The lamp employs state of the art LED chips, with a total power of just 27W. With a lumen output of over 950 lm in natural white and 775 lm in warm white, this lamp assures uniform brightness and light output.

The PAR38 lamp outputs are available in warm white, natural white, and cool white, as well as our standard color selection. LED's PAR38 lamps are also available in a specified custom color temperature range to suit our customer's individual needs. This lamp replaces standard Halogen and Incandescent PAR38 lamps, and is produced for 100/120V input or 220/240V input, eliminating the need for additional transformers. The lamp is available in a dimmable or non-dimmable version, and plugs directly into existing Edison socket replacing standard lamps. The lamp life is rated for approximately 50,000+ hours.



FEATURES:

- Available in AC 100~240V and AC 220~240V energy consumption
- High brightness: over 950 lumens natural white: 720 over lumens warm white
- 27 watt available with CREE LED
- Rated for approx 50,000 hours
- 3 year warranty
- RoHS compliant and UL listed
- E26/ E27 base
- Easy to install
- Available in dimmable and non-dimmable

APPLICATIONS:

- **Landscape Accent / Spot Lighting**
- **Architectural Lighting**
- **Display Case Accent**
- **Artwork Lighting**
- **Mood Lighting**
- **Amusement Park Accent**

Ordering Information:

PAR38								
Series	Voltage	Beam Angle	Color	LED Brand	Lens Type	Housing Finish	Base	Dimmability
	AC 100 ~ 240V AC 220 ~ 240V	30 45 60 <small>*Other Angles Available</small>	CW (Cool White) NW (Neutral White) WW (Warm White) R (Red) Y (Yellow) G (Green) B (Blue) <small>*Custom Colors Available</small>	C (Cree) *Standard S (SSC) T (Taiwan) <small>*Other Brands Available</small>	N (Normal) <small>*Other Types Available</small>	S (Silver Paint) <small>*Other Colors Available</small>	E26 <small>*Also Available</small> E27	D ND



Ordering Example: PAR38-AC 110~240V-30-CW-C-N-S-E26-D

LED

LIGHTING & ELECTRONIC DESIGN

PART #: PAR38-XXX-XX-XX-X-X-XXX-X

Catalog #		Type
Projects		
Comments		Date
Prepared By		

DIAGRAM: (All Dimensions are in mm) *Fit must be verified in end user fixtures. See Physical Dimensions

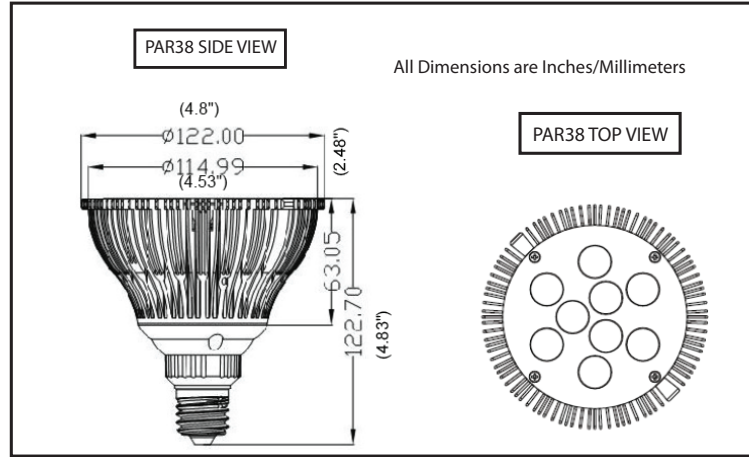
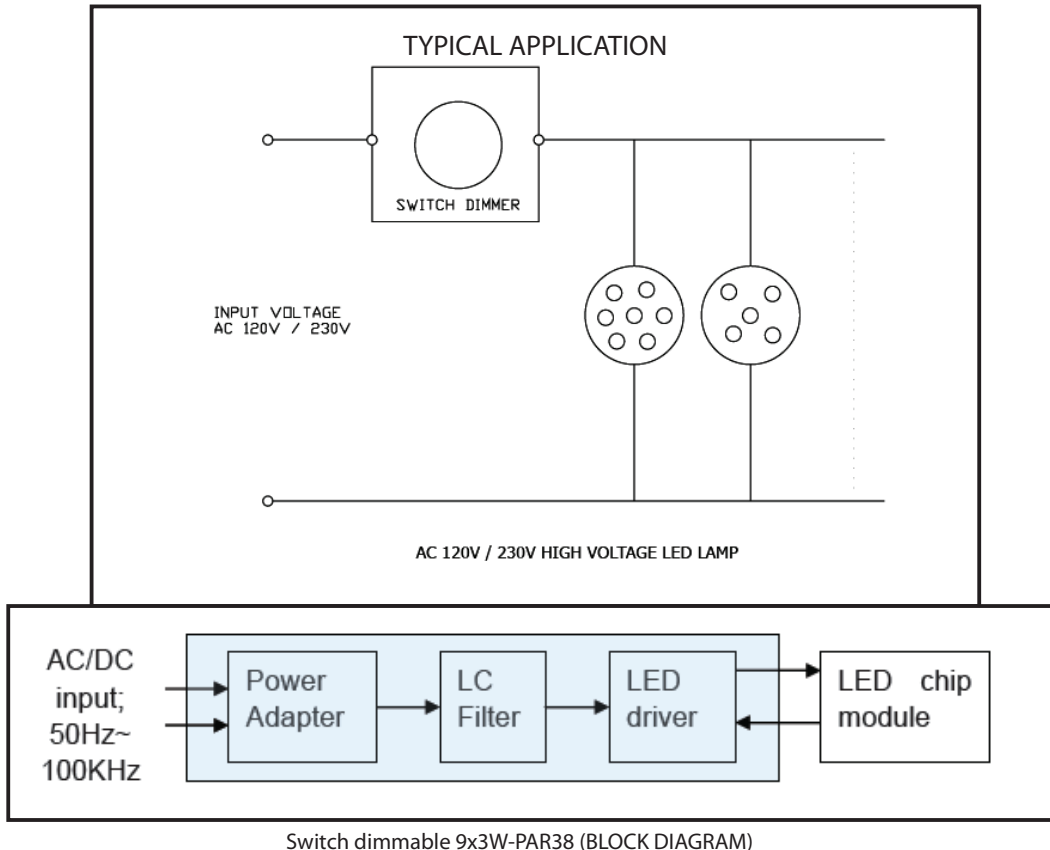


DIAGRAM: (All Dimensions are in mm) *Fit must be verified in end user fixtures. See Physical Dimensions



LAMP SERIES