



# Single Lamps E26 3W

## Material & Character

Import Polycarbonate or ABS prismatic LENS, Aluminium alloy

Suitable Place:

Emporium hall, station, workshop, supermarket, warehouse and so on.

## Basic Information

Model No: LE26W3\_13\_H

Weight: 87g

Dimension:  $\Phi 50 \times 75.25 \text{mm}$

Application:

Indoor Commercial and Residential Architectural lighting

## Technical Information

Cap Base : E26

LED Constant Current : 700mA

Watt(W): 3W

Volt(V) : 90~240V ac

Line Frequency (Hz) : 50/60Hz

Correlated Color Temperature(CCT): 4500K~8000K [white]

3300K~3600K [WarmWhite] for color LENS

Illuminance: 35mm Spot-LENS 1842cd Flood-LENS 269cd Lux/1m

LED color: White, WarmWhite, R, G, B, Amber.....

Housing Color: White, Dark Silver, Champagne.....

LENS Material : PMMA

Tc : 85°C max.

Operational Temperature : 50°C max.



We use LUXEON LED

## LED Driver 700mA Constant Current

AC to DC, Constant Current Power Supply 4 Watts

Specifications :

Input Range : 90~263Vac, 47Hz~63Hz, 80~40mA

Crest factor (Ipk): 1.5Max

Line THD: <20%

DC Output Range : 2 ~ 4.5Vdc

Efficiency : 80% Typical

Output Current Regulation :  $\pm 5\%$

Protection : SCP - Auto Recovery

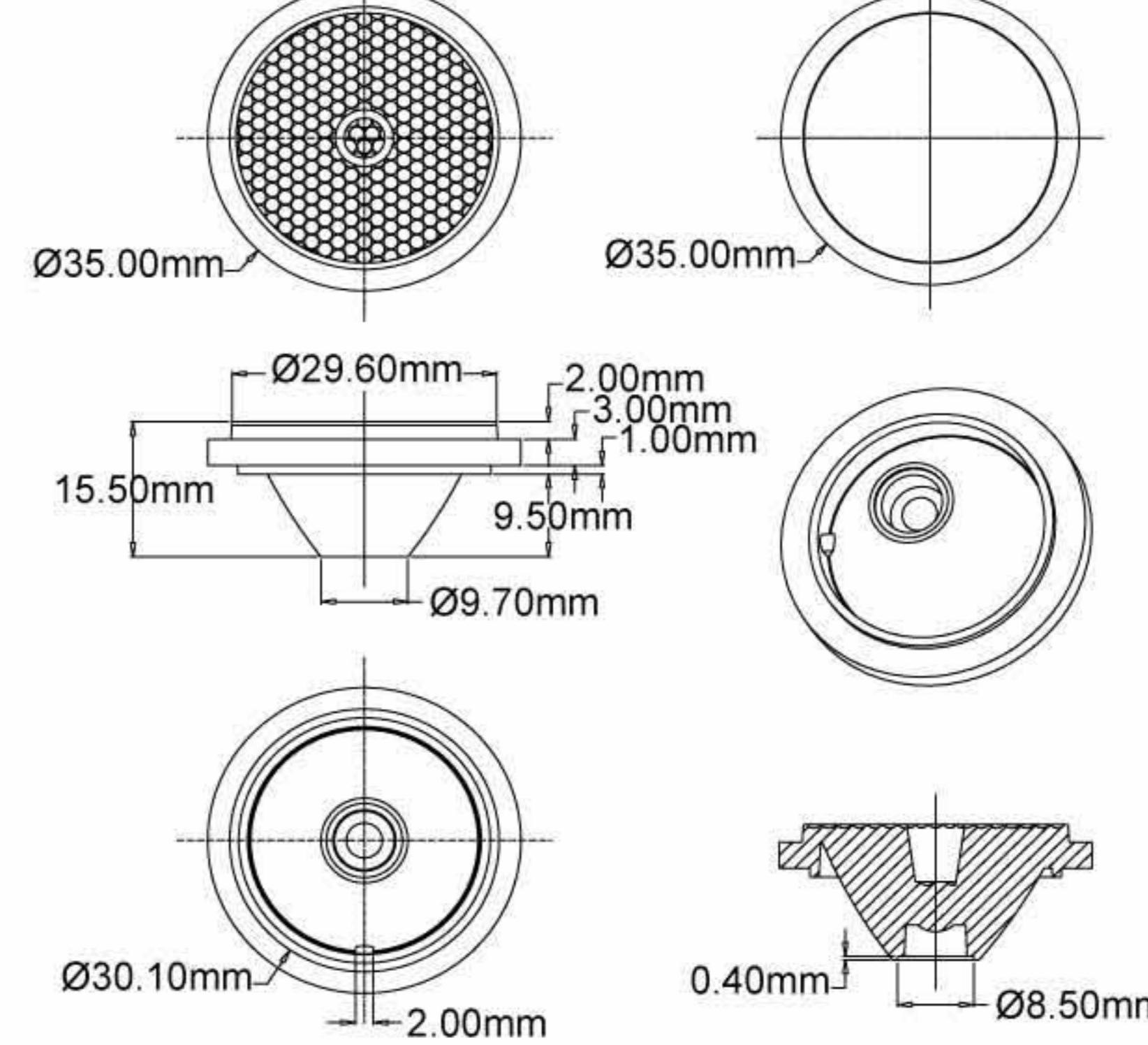
Operation Temp. : -20°C ~ +70°C

Storage Temp. : -40°C ~ +85°C

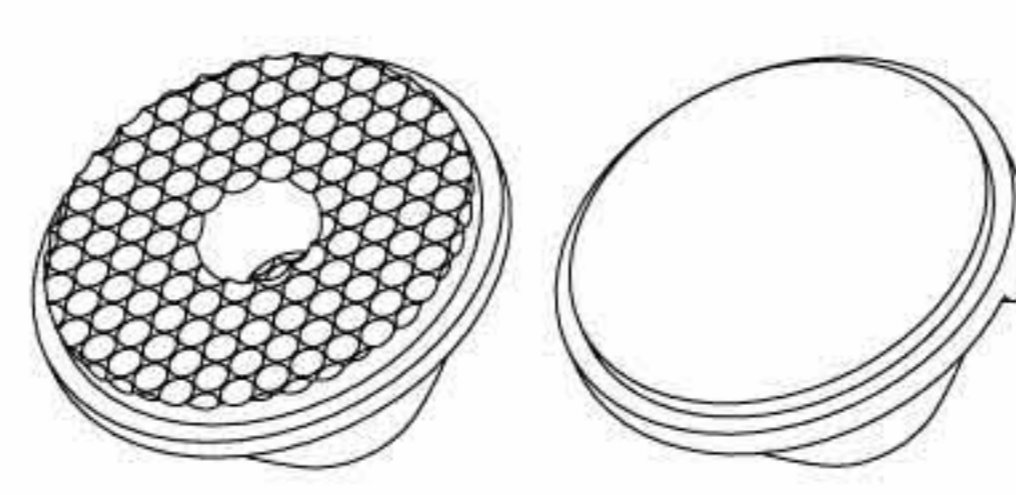
EMI EN55022 B, EN55015 B, CE

FLOOD LENS

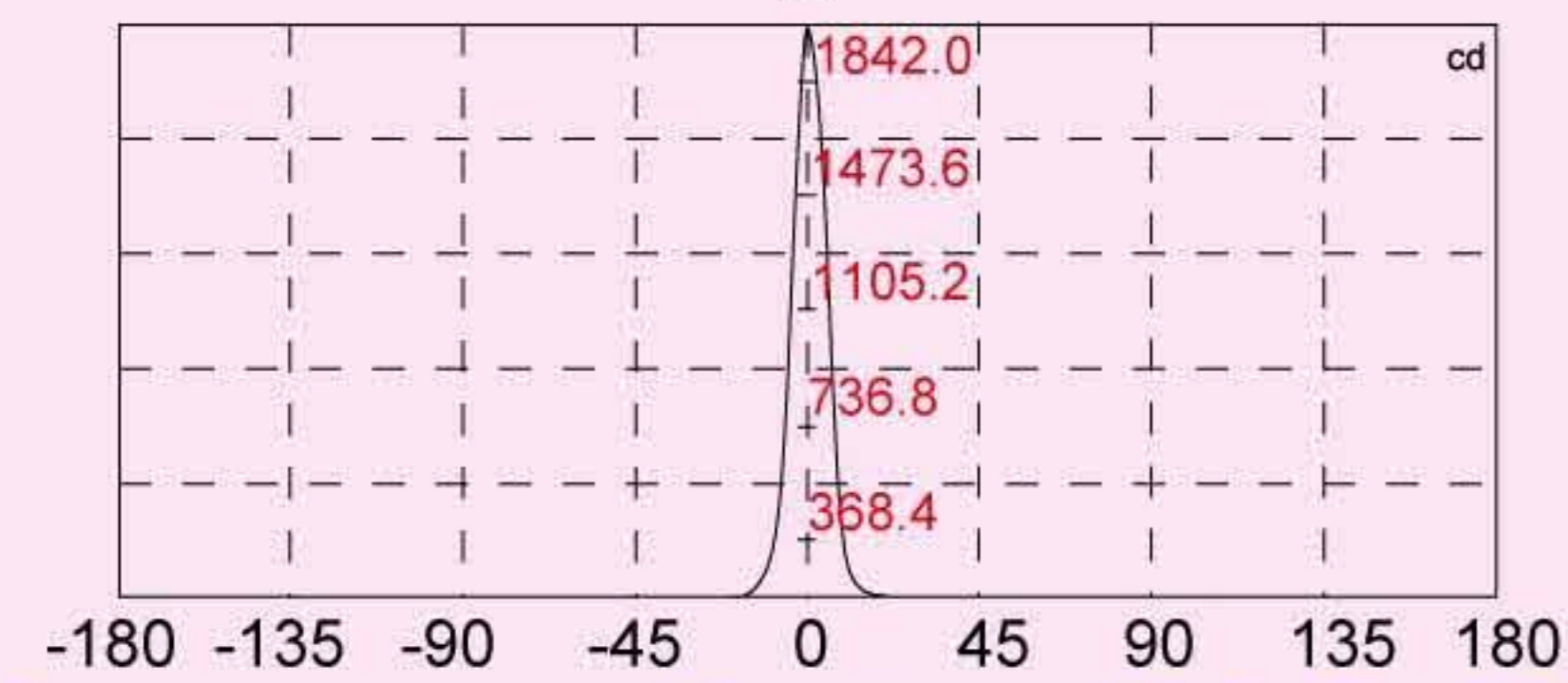
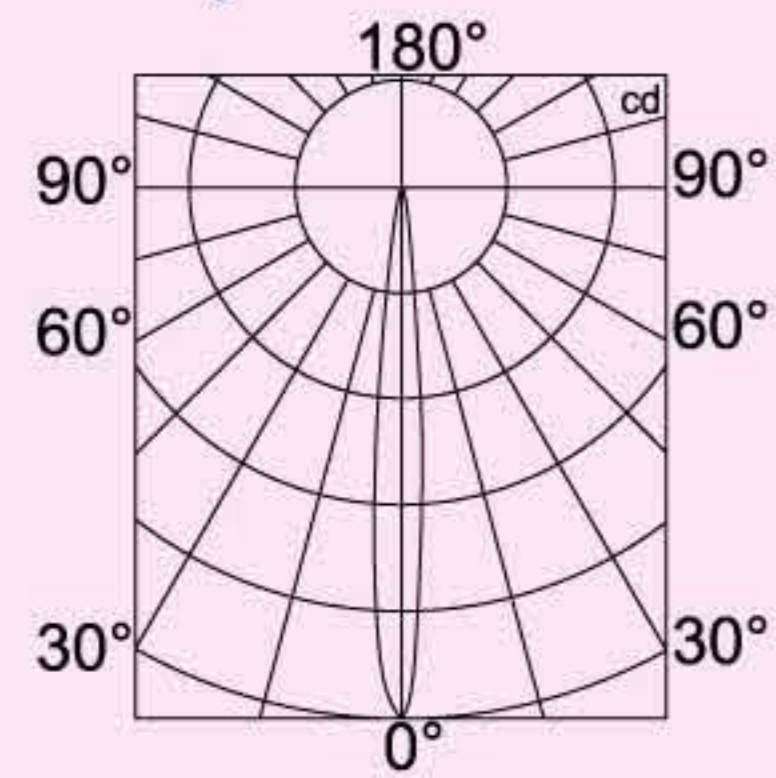
SPOT LENS



35mm LENS



Relative Intensity Distribution SPOT LENS



Relative Intensity Distribution FLOOD LENS

