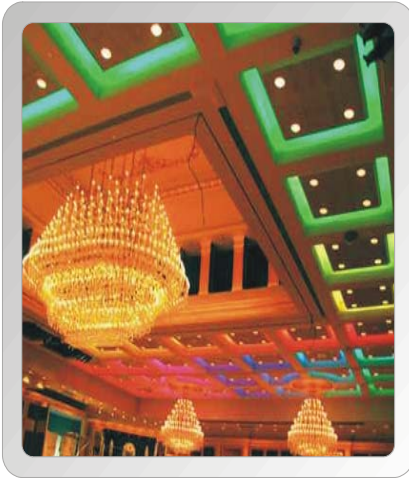


LED

LIGHTING AND ELECTRONIC DESIGN

LED RIBBON LIGHT
INDOOR/OUTDOOR



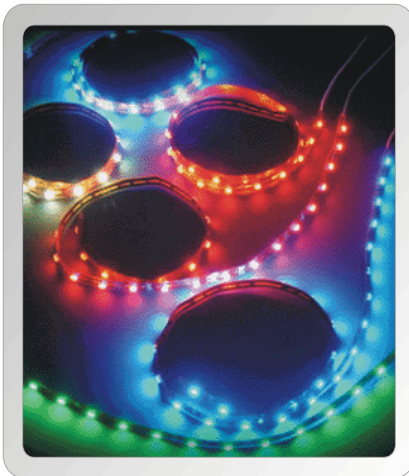
Led Ribbon Light is **less than 4mm thick** offering the smallest profile of any led product we offer and allowing easy installation in many confined spaces. The LED Ribbon Light product is UL listed and compatible with most standard power supplies, and is easy to mount and connect.

Each 1 foot length of LED Ribbon lighting consists of a thin, ultra flexible copper strip with a plug-in connector every foot avoiding the need for soldering.

Led diodes are mounted directly to the copper strip, which can then be directly connected with a power lead for easy connection to your power supply. The 1 foot copper strip can be cut into smaller sections via cutting points which are marked at regular intervals for easy fitting to a specific shape or length. The copper strip/diode assembly comes with 3M high quality adhesive backing, which can be peeled off and pasted for easy mounting. This flat LED strip emits directional light with a 120 degree viewing angle.

The flexible design and high-intensity LED lighting make it ideal for:

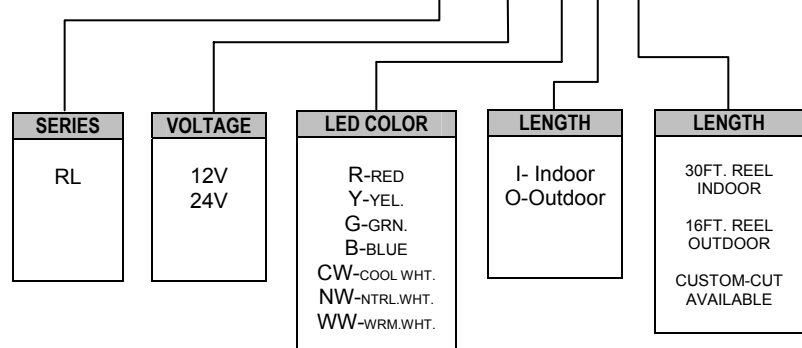
- Cove & Contour Lighting
- Interior & Architectural Feature Lighting
- Exhibit Lighting
- Kitchen-Cabinet & Shelf Lighting
- Lighting Round Columns
- Project Lighting
- Locations with Limited Access or Clearance
- Close Application Task Lighting
- Edge Lighting on Glass or Stone
- Sign Lighting



If your company has a special project or specific need whether color temperature or LED type, please contact our engineering team for assistance.



Example: **RL-12-R-I-30**



Available by the foot or by the reel.

RIBBON LIGHT SERIES



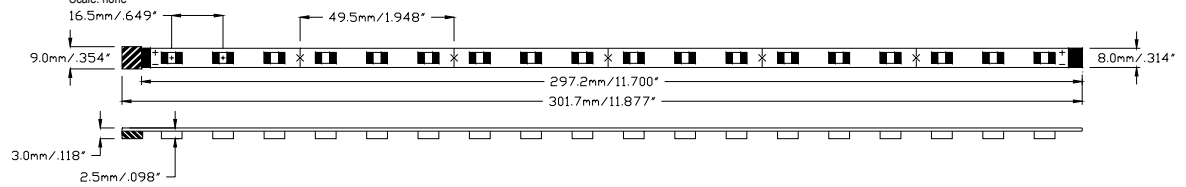
The LED Ribbon Light is dimmable and available in 12 or 24V in Red, Green, Blue, Yellow, Cool White, Natural White or Warm White colors. Low voltage and low energy consumption will save money and reduce risk of electrical shock and fire danger. The solid state LED Ribbon Light lasts for 50,000 hours (approx. **8 years**) and is durable, small, and very efficient. LED Ribbon Light is UL listed and holds the ROHS certificate, which ensures that no environmentally harmful components were used in the manufacturing process.

Electrical Parameters 12V

*Max run 30ft.

Parameters	Symbol	Values	Unit/strip
Operating Voltage	Vopr	R/Y/G/B/CW/NW/WW 12VDC (+/- 5%)	V
Power		R/Y 1W PER FOOT	
Dissipation Max (V=12VDC)	PD	G/B/CW/NW/WW 1.3W PER FOOT	W
Operating Temperature	Topr	-30-+85(-22-+185)	C(F)
Storage Temperature	Tstg	-30-+85(-22-+185)	C(F)

12V Ribbon Diagram
Circuit Diagram Available
Outline Dimensions
Units: mm/inch
Scale: none

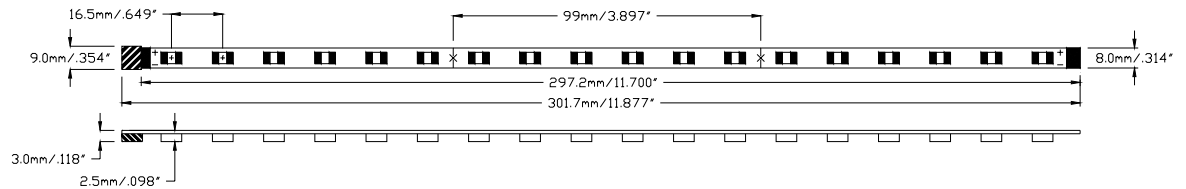


Electrical Parameters 24V

*Max run 30ft.

Parameters	Symbol	Values	Unit/strip
Operating Voltage	Vopr	R/Y/G/B/CW/NW/WW 24VDC (+/- 5%)	V
Power		R/Y 1W PER FOOT	
Dissipation Max (V=24VDC)	PD	G/B/CW/NW/WW 1.3W PER FOOT	W
Operating Temperature	Topr	-30-+85(-22-+185)	C(F)
Storage Temperature	Tstg	-30-+85(-22-+185)	C(F)

24V Ribbon Diagram
Circuit Diagram Available
Outline Dimensions
Units: mm/inch
Scale: none



Optical Parameters at Ta=77°F for 12V and 24V

Color	Viewing Angle (°)	Wavelength (color temp.)	Luminous Flux (lm)/strip	LED Qty. (pcs)/strip	LED Quantity (pcs)/segment	Length (ft)/strip	Strip Qty. (pcs)/reel	Max. Conn. (pcs of strip)
RED	120	625nm	27	18	2	1	30	
YEL.	120	590nm	27	18	2	1	30	
GRN.	120	515nm	36	18	3	1	30	
BLUE	120	470nm	18	18	3	1	30	
CL.WHT.	120	5000-6500k	54	18	3	1	30	
NTRL.WHT.	120	3700-4200k	50	18	3	1	30	
WRM.WHT.	120	2600-3200k	45	18	3	1	30	