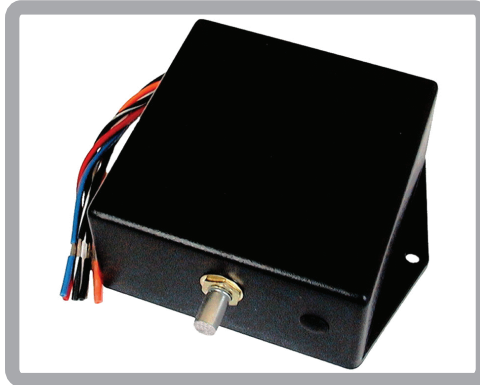


Catalog #		Type
Projects		
Comments		Date
Prepared By		

LED's **CONTROLLER SERIES™** is used to vary the speed of lights in a chase circuit. LED's **CONTROLLER SERIES™** is economical, easy to install, and works with 12VAC to 24VAC at 60 Hz and up to 3 amps per circuit load capacity. This controller is safety listed with ANSI / UL standard 508, and Canada / CSA Standard C22.2 Number 14!



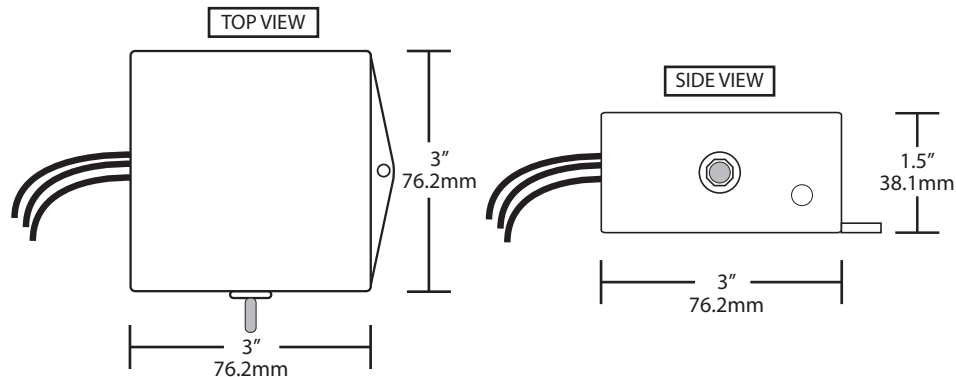
FEATURES:

- 12 to 24 VAC
- 4 circuit control using 3 wires
- *Requires special chase wiring configuration
- Chase sequence: light (Chase - 1 ON, 3 OFF)
- 3 amps per circuit load capacity
- Easy-set variable rate control
- Internal fuse protection
- Easy-connect wire leads
- 3" x 3" x 1.5" enclosure with tabs

APPLICATIONS:

- Theaters
- Restaurants & Bars
- Arenas
- Auditoriums
- Hotels
- Casinos

DIAGRAMS:



Ordering Information:



Ordering Example: CC-STD-12VAC-INDOOR